

NATIONAL TIME 540 Series Fire Alarm Pull Stations are high quality, die-cast metal devices available in either single or dual-action configurations with SPST or DPST switches. They include either wire lead or terminal strip connections. The normally open contact, which closes when the pull station is activated, is rated for 1 amp, at 125 VAC, or 30 VDC. The contacts are gold-plated to avoid risk of corrosion. All models in the series have been tested by UL for compliance to the latest requirements of the *Americans with Disabilities Act (ADA)*.

The 540 Series is operated by simply pulling the handle on the front of the station as far down as it will go. The handle locks into place indicating its activated status. The station is restored to normal with the use of a key. Standard models are provided with identically keyed locks and come with one key and one scored acrylic break-rod. On the 540D and 542D dual action models, the *Push* bar rotates inward allowing the *Pull* handle to be grasped in a one-handed motion.



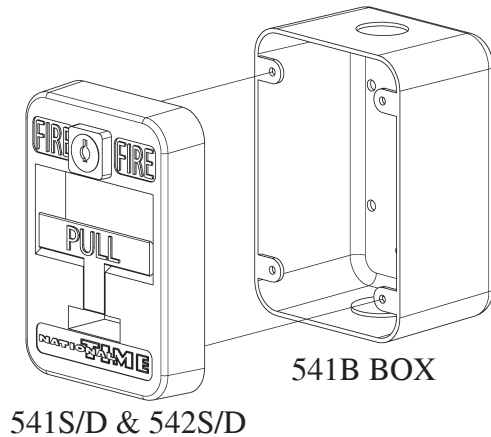
541S Shown

Features:

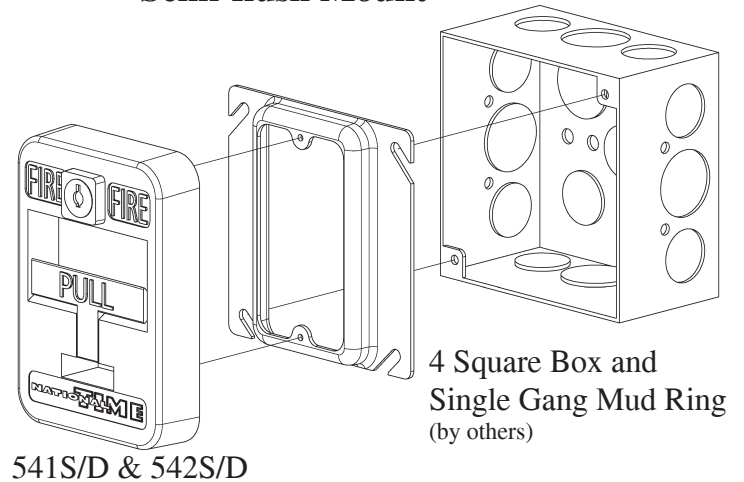
- Single or dual action modules
- Semi-flush mounts on single gang box
- High gloss red enamel finish
- Anti-corrosion gold-plated contacts
- ADA compliant
- UL listed
- Surface boxes optional
- DPST switch available

Mounting & Wiring Diagrams

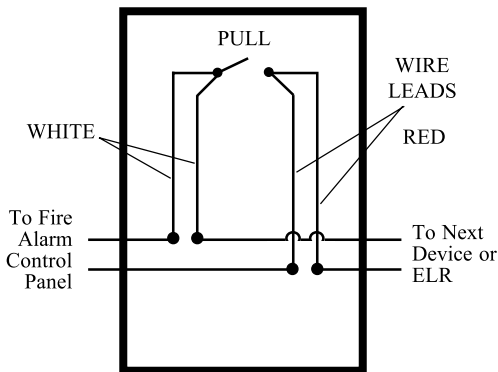
Surface Mount



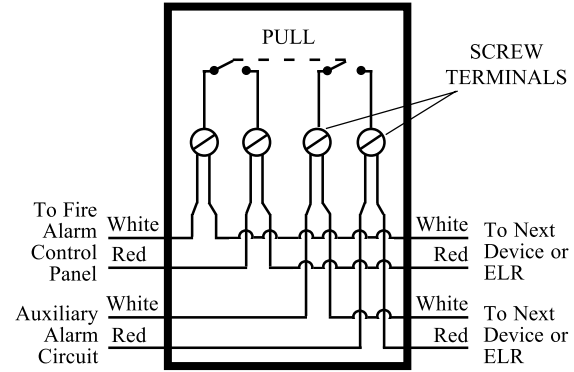
Semi-flush Mount



541 WIRING DIAGRAM



542 WIRING DIAGRAM



Ordering Information & Specifications

MODEL NUMBER	ACTION	VOLTAGE AC/DC	AMPS	CONNECTION	SWITCH TYPE
541S	SINGLE	125/30	1A	WIRE LEADS	SPST
541D	DUAL	125/30	1A	WIRE LEADS	SPST
542S	SINGLE	125/30	1A	TERMINALS	DPST
542D	DUAL	125/30	1A	TERMINALS	DPST

ACCESSORIES

MODEL NUMBER	ACCESSORY DESCRIPTION
540B	RED INTERIOR SURFACE BOX
540B-WP	RED WEATHERPROOF SURFACE BOX
543G	12 SPARE BREAK RODS